



LUMENSOURCE

SPECIFICATION GRADE LED

Project: _____

Date: _____

Notes: _____

Configuration: _____

Pendant

CP SERIES

The Lumensource Pendant provides an excellent replacement to traditional light sources such as fluorescent. The original machined housing provides high performance, energy saving, and long lasting light output perfect for indoor decorative lighting needs.

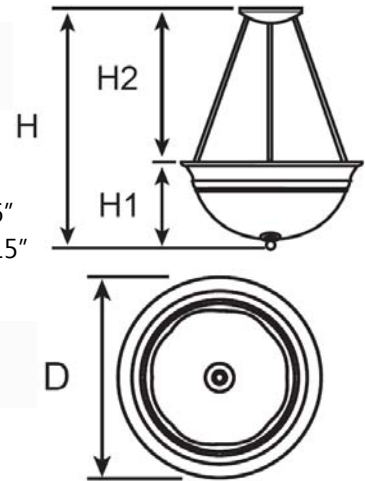


FEATURES

- Suspended mount or ceiling mount for easy installation
- Satin Nickel finish for lasting appearance
- Opal white acrylic diffuser for even light output

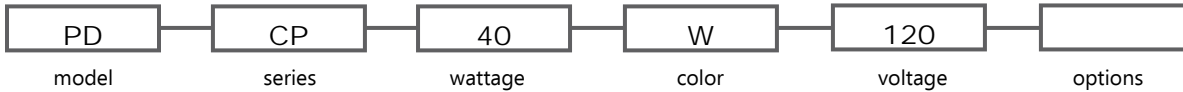
H - 21"
D - 13"

H1 - 6"
H2 - 15"



ORDERING INFORMATION

Standard Configuration:



Model

PD - Pendant

Series

CP - Pumpkin

Wattage

20W

30W

40W

Color

W - Warm white 3000K

Voltage

120

(VAC input)

Options

