

Project:

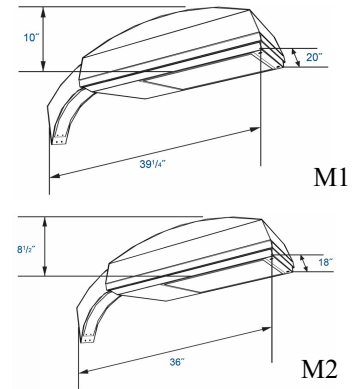
Date:

Notes:

Configuration:

Street Light SL SERIES

The Lumensource Street Light provides an excellent replacement to traditional light sources such as metal halide or high pressure sodium light source. The original formed aluminum housing provides high performance, energy saving, and long



FEATURES

- Universal input voltage for easy installation
- Protective power coating for lasting appearance
- Gasketed enclosure for ruggedized outdoor application

ORDERING INFORMATION

Standard Configuration:



MODEL

SL - Street Lights

COLOR

C - Cool White 5000K

SIZE

M1 - 36" L x 18" W x 18" H

M2 - 10" L x 20" W x 39.25" D

SERIES

KH- Bronze Texture

VOLTAGE

120
208
240
277

WATTAGE

60 (using M1)
100 (using M1)
120 (using M2)
160 (using M2)

OPTIONS

PC - Photocell

